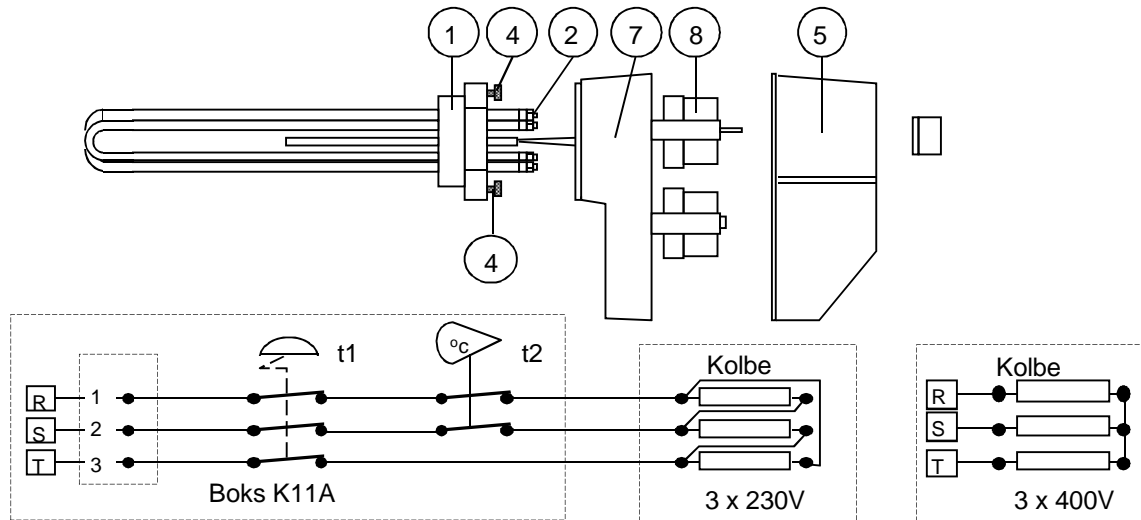


Assembly instruction for connection box K11A and K15



This connection box can be used on immersion heaters **IU34R - IU39RK. (3 - 6KW 3 x 230V)**
IU34R - IU312RK. (3 - 10KW 3 x 400V)
 fabricated by Norske Backer.

The immersion heater is approved for assembling in water heaters and boilers for water.

The connection box is equipped by a 3 pole connection piece 4 mm² (10), a 3 pole temperature limiter (t1) (102 gr.c in K11A) (60 gr.c. In K15), with manual reset, and a 3 pole thermostat (2 step) (t2) (30 - 90 gr.C. in K11A) and (0 - 40 gr.c. in K15)
 The thermostat cuts the effect in step 1/1,1/2, and 0.

Inside the box is a plastic bag with 2 securing screws for the box. A steelrail which is to be inserted into the thermostattube on the immersion heater can be delivered together with connectionplates and connection material for electrical connection to the immersion heater. If the immersion heater is placed in such a way that the connection box's surrounding temperature rises over +75 gr.C, the electric connection must be done by a NEMKO approved cable for the actual temperature area. Surrounding temperature must not rise over 120 gr.C. The box must not be placed in such a way that it is exposed for damaging heat radiation, for example in a boiler with a door for patent fuel were flames may occur by opening the door.

Assembly instruction:

- 1: Assemble the immersion heater (1) and check its tightness to the water boiler/heater.
- 2: Insert the steelrail into the thermostattube(2)
- 3: Screw in the two securing screws (4) for the connection box (do not screw all the way in)

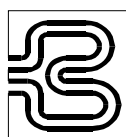
Loosen the cover for the connection box(5)

- 4: Insert feelers from thermostat and temp.limiter into the therm.tube (one on each side of the steelrail.)
- 5: Place the connection box to the immersion heater in such a way that the screw heads(4) fit into the grooves on the box's underpart (one on each side)
 Turn the box to wanted positioning and tighten the screws to fasten the box.
- 6: Loosen the thermostathouse (8) and connect the main current cable directly to elements on the immersion heater by following the connection scheme which is placed inside the cover on the box and on this assembly instruction. Fasten the thermostathouse.
- 7: Ensure that the thermostat and temperature limiters capillari tube is placed in such a way that min. 3mm isolation distance to live wire parts is obtained.
 At the same time control that cables are placed in such a way that they will not be damaged by sharp edges.

Important by electrical connection

- 1: The immersion heater must be installed by an certified electrician.
- 2: Electrical connection must be done in accordance with the connection scheme that is placed in the cover of the box and this assembly instruction.
- 3: The immersion heater's el.supply must be led though an allpole swith which is to be assembeled into the firm installation.

NB: In special conditions, for example by usage of groundwater, it is recomended that a plumber/ certified electrician examines the water's oxygencontents



Backer
 Norske Backer A/S

P.B 203

2200 Kongsvinger

telf: 62828828

fax: 62817456