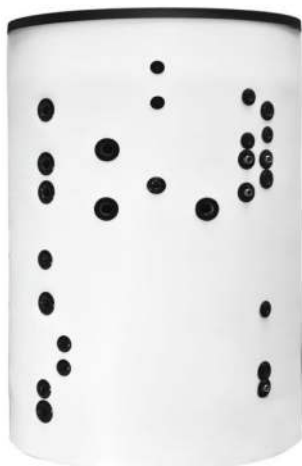


HSK 1700 PR Combination Thermal Store

HSK 1700 PR

HSK 1700 PR with insulation


Main features	
Application	accumulation of thermal energy for space and DHW heating
Description	combination thermal store with DHW heating in an integrated stainless-steel heat exchanger, fitted with a tight separating metal plate that increases Seasonal coefficient of performance (SCOP) of a heat pump and the efficiency of a solar thermal system, with a solar heat exchanger in the lower tank section below the plate
Working fluid	water (tank) water, water/glycol mixture (max. 1:1) or water/glycerine mixture (max. 2:1) (heat exchangers)

Code	
Thermal Store	14013
Insulation	18847

Energy Efficiency Data (as per EC Regulation No. 812/2013)	
	HSK 1700 PR with insulation
Energy efficiency class	N/A
Standing loss	174 W
Storage volume	1654 l

Technical Data	
Total tank volume	1676 l
Fluid volume in tank	1622 l
Fluid volume above the separating plate	550 l
Fluid volume below the separating plate	1072 l
Solar heat exchanger volume	22 l
Upper DHW heat exchanger volume	21 l
Lower DHW heat exchanger volume	11 l
Solar heat exchanger surface area	4 m ²
Upper DHW heat exchanger surface area	6 m ²
Lower DHW heat exchanger surface area	3 m ²
Max. working temp. in Thermal Store	95 °C
Max. working temperature in solar HE	95 °C
Max. working temp. in DHW heat exchangers	95 °C
Max. working pressure in Thermal Store	3 bar
Max. working pressure in solar HE	10 bar
Max. working pressure in DHW heat exchangers	10 bar

Tank Materials	
Tank material	S235JR
Solar heat exchanger material	S235JR+N
DHW heat exchanger material	AISI 316 L

Insulation Materials	
Tank perimeter insulation	fleece and polystyrene
Tank perimeter insulation outer surface	hard polystyrene
Top and bottom tank insulation	fleece

Dimensions, Tipping height, Insulation thickness, Weight	
Tank diameter	1100 mm
Tank diameter with insulation	1300 mm
Tank overall height	2075 mm
Tipping height without insulation	2190 mm
Tank perimeter insulation thickness	100 mm
Bottom insulation thickness	50 mm
Top insulation thickness	120 mm
Empty weight without insulation	295 kg

HSK 1700 PR Combination Thermal Store

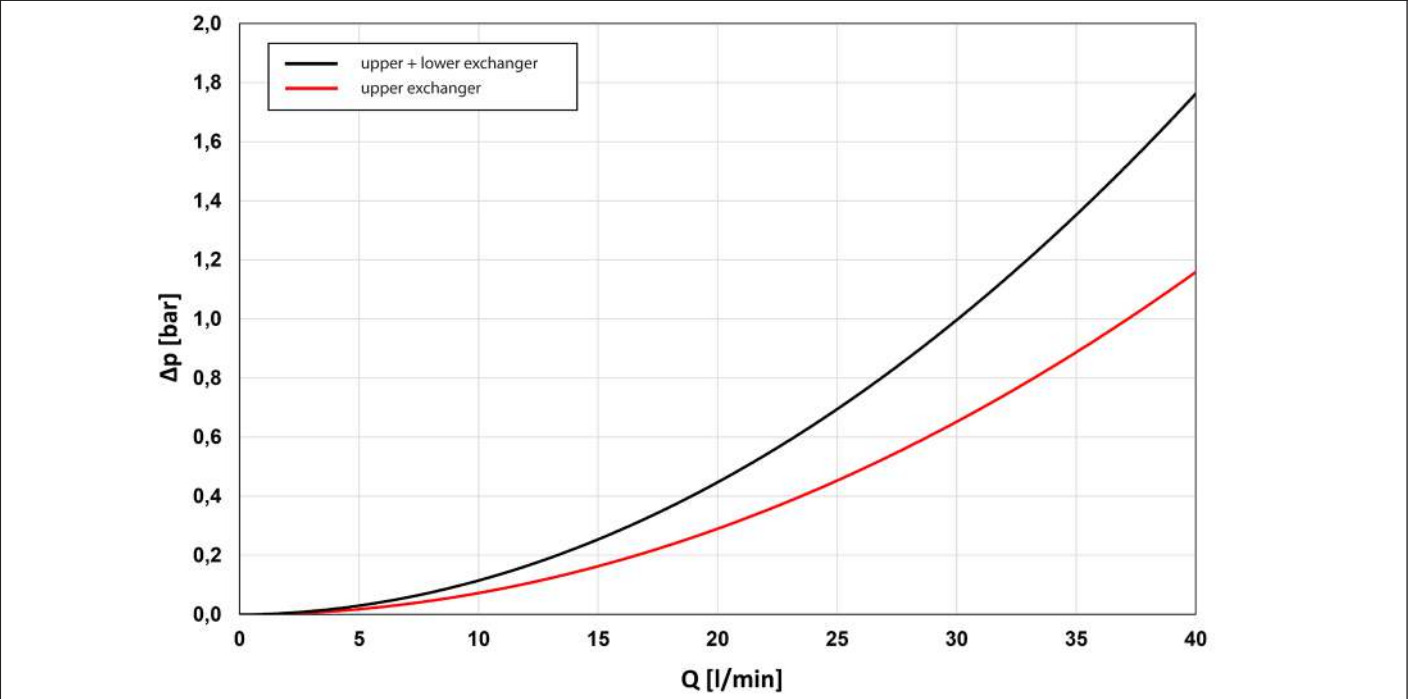
Accessories

El. heating element (models)	ETT-C, M, P
Heating elem. max. length / output	3x 955 mm / 12 kW

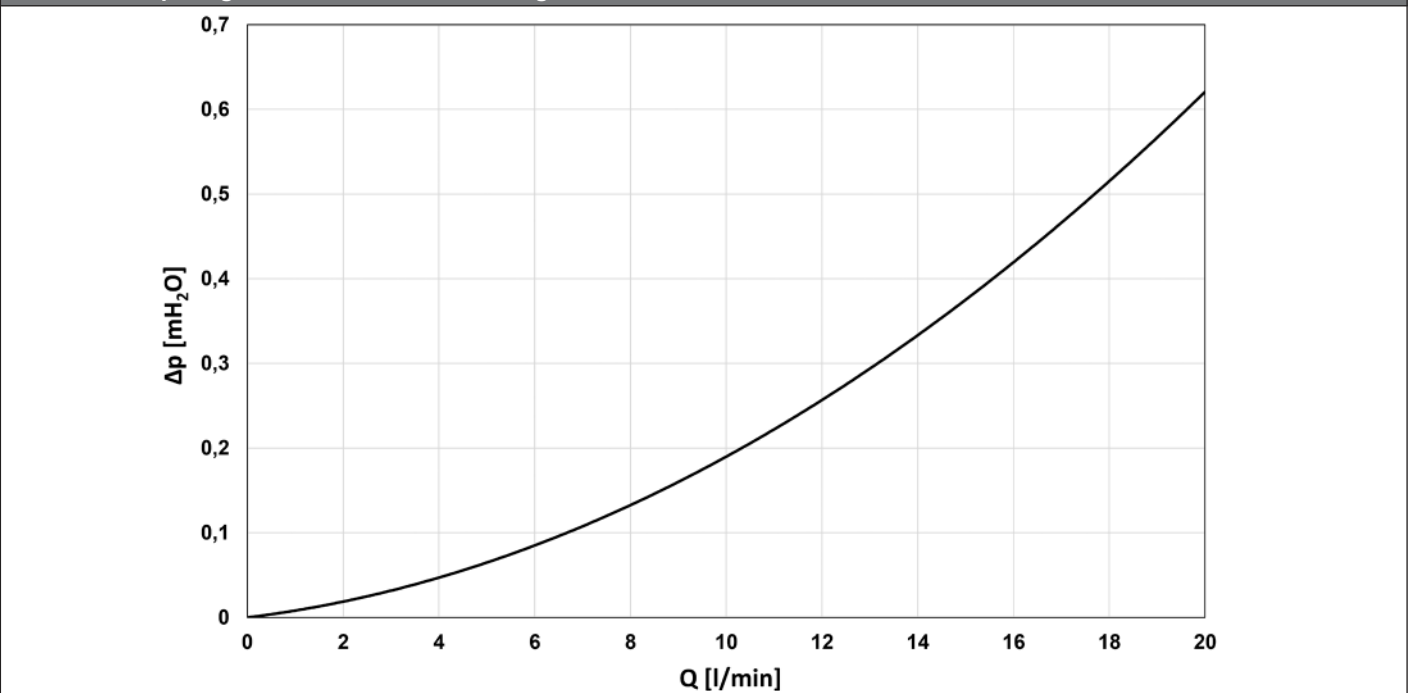
Volume of supplied DHW (heated from 10 °C to 40 °C)

Heated volume	entire			entire			above metal sheet			entire			entire			above metal sheet			entire		
Temperature in tank	50 °C			50 °C			50 °C			60 °C			60 °C			60 °C			80 °C		
Backup heater	10 kW			none			10 kW			10 kW			none			10 kW			none		
Flow rate [l/min]	8	12	20	8	12	20	8	12	20	8	12	20	8	12	20	8	12	20	8	12	20
Hot water volume [l]	939	863	621	898	832	557	411	293	186	2642	2007	1498	1533	1407	1264	836	631	423	2369	2350	2179

Pressure Drop Diagram for DHW Heat Exchange



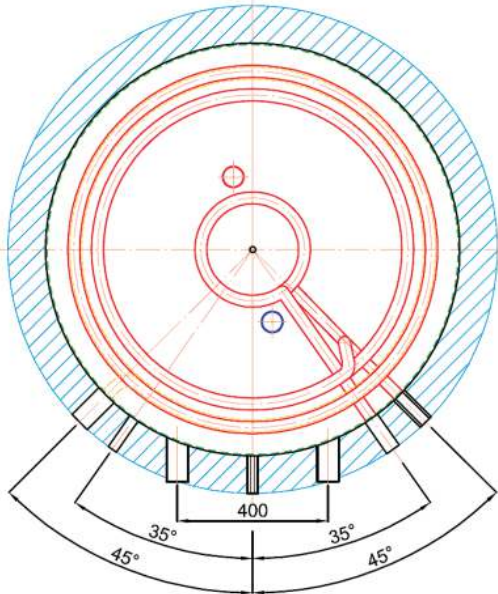
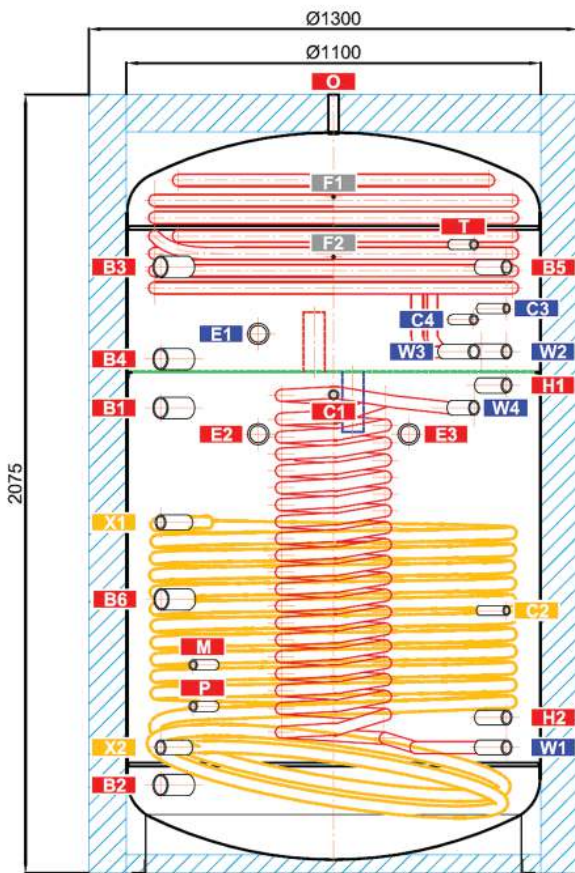
Pressure Drop Diagram for Solar Heat Exchanger



HSK 1700 PR Combination Thermal Store

Dimensions

Tipping height without insulation 2190 mm



TAPPINGS

Pos.	Description	Connec-tion	Height [mm]
Heat sources			
B1	Incoming from heat source	G 6/4" F	1240
B2	Return to heat source	G 6/4" F	235
B3	Incoming from heat source	G 6/4" F	1615
B4	Return to heat source	G 6/4" F	1370
B5	Incoming from heat source	G 1" F	1615
B6	Incoming from heat source	G 6/4" F	730
Heating system			
H1	Flow to heating system	G 1" F	1300
H2	Return from heating system	G 1" F	415
Solar thermal system			
X1	Flow to heating system	G 1" F	935
X2	Return from heating system	G 1" F	335
El. heating elements			
E1	Electric heating element for DHW heating	G 6/4" F	1437
E2	Electric heating element for space heating	G 6/4" F	1170
E3	Electric heating element for space heating	G 6/4" F	1170
DHW heating			
W1	Cold water	G 1" M	335
W2	Hot water	G 1" M	1390
W3	Circulation	G 1" M	1390
W4	Hot water	G 1" M	1240
Control and safety			
C1	Temperature sensor	G 1/2" F	1275
C2	Temperature sensor	G 1/2" F	700
C3	Temperature sensor	G 1/2" F	1505
C4	Temperature sensor	G 1/2" F	1475
T	Thermometer	G 1/2" F	1675
M	Pressure gauge	G 1/2" F	555
P	Safety valve	G 1/2" F	445
Air release			
O	Air vent valve	G 1/2" F	2075
Pump station support			
F1	Pump station support – upper	M6	1802
F2	Pump station support – lower	M6	1642