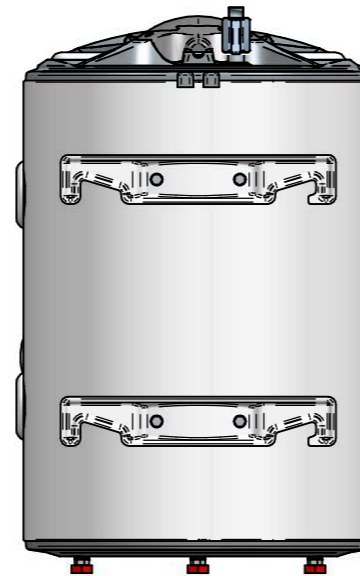


BCE xxxR



BUFFER TANK FOR VERTICAL AND HORIZONTAL MOUNTING

TECHNICAL DATA

Model	...	BCE 60(R)	BCE 80(R)	BCE 120(R)
Volume range	L	60	80	120
Energy efficiency class	...	C	C	C
Standing loss heat	W	56	60	68
Rated pressure	MPa	0.6	0.6	0.6
Volume	L	64	75	116
Insulation thickness	mm	33	33	33
Weight	kg	29	31.5	42

CONNECTIONS

	BCE 60(R)	BCE 80(R)	BCE 120(R)
1: Inlet / outlet	G1 1/4F	G1 1/4F	G1 1/4 F
2: Flange (with anode protector)	Yes	Yes	Yes
3: Ball valve	G1/2	G1/2	G1/2
4: Additional anode protector	Yes	Yes	Yes
5: Socket for thermostat	G1/2 F	G1/2 F	G1/2 F
6: Additional socket	G1 1/2 F	G1 1/2 F	G1 1/2 F

DIMENSIONS

	mm	BCE 60(R)	BCE 80(R)	BCE 120(R)
H	mm	715	810	1150
J	mm	280	375	715
M	mm	320	415	755

Sings:

"BCE" - enamelled water tank.

"R" - horizontal flange mounting on the right (in this embodiment the fixing brackets are mounted inversed BCE xxxR).