

Regulus

www.regulus.eu



PS N+

Installation and Operation Manual
THERMAL STORES

**PS 200 N+, PS 300 N+, PS 400 N+, PS 500 N+,
PS 600 N+, PS 700 N+, PS 800 N+, PS 900 N+,
PS 1000 N+, PS 1100 N+, PS 1500 N+, PS 2000 N+**

EN

PS N+

CONTENTS

1 Description	3
1.1 Models	3
1.2 Tank Protection	3
1.3 Thermal Insulation	3
1.4 Connection points on the tank	3
1.5 Packaging	3
2 General Information	3
3 Dimensions and Other Technical Data	4
4 Operation	5
5 Typical Layout Examples with Thermal Store	5
6 Installation and Commissioning	7
6.1 Connection to heat sources	7
6.2 Connection to a solar thermal system	7
6.3 El. heating element installation	7
6.4 Commissioning	7
7 Installing Insulation on the Tank	8
8 Maintenance	10
9 Disposal	10
10 Warranty	10

1 - Description

PS N+ Thermal Stores are intended for storing and subsequent distribution of thermal energy from solid-fuel fired boilers, heat pumps, solar collectors, electric boilers etc. These tanks do not enable installation of heat exchangers, only direct installation of an electric heating element. 230V or 3x230V/400V heating elements (2-12 kW output) can be installed directly into the 6/4" connections. Tanks are fitted with nine connections for heat sources and a heating system, four connections for installing sensor sheaths and one connection for a safety valve. A 100mm thick insulation for these tanks can be purchased as a separate item.

1.1 - Models

Twelve models of 181, 280, 397, 474, 561, 656, 804, 860, 927, 1040, 1504 and 2005 l capacity.

1.2 - Tank protection

The inner surface has no finish, no anticorrosion protection, the outer surface is lacquered in gray.

1.3 - Thermal Insulation

Thermal insulation is available as a separate item. For easier handling, the insulation shall not be fitted on the tank until it reaches its definite place of installation. The insulation is made of fleece, 100 mm thick, with a hard polystyrene surface. It is closed by a quick lock.

1.4 - Connection points on the tank

8× side connections in a circular section of 90°, G 6/4" F thread

1× top connection, G 6/4" F thread"

4× side connections for sensor sheaths, G 1/2" F thread

1× connection for installation of a 3bar safety valve, G 1/2" F thread

1.5 - Packaging

Thermal stores are delivered standing, each screwed to its separate pallet, packed in bubble wrap.

2 - General Information

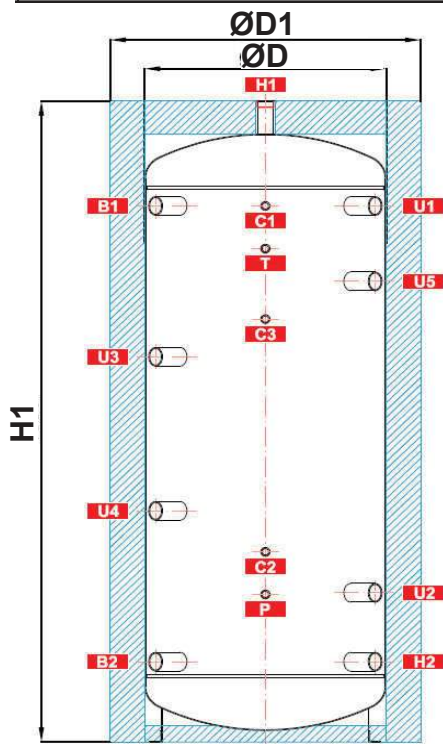
This Manual is an integral and important part of the product and must be handed over to the User. Read carefully the instructions in this Manual as they contain important information concerning safety, installation, operation and maintenance. Keep this Manual for later reference. The appliance shall be installed by a qualified person according to valid rules and Manufacturer's Instructions, otherwise the Warranty is null and void.

This appliance is designed to accumulate thermal energy of heating water and distribute it subsequently. It must be connected to a heating system and heat sources.

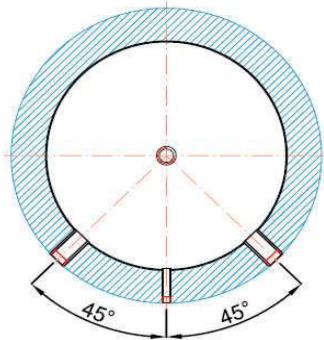
Using the thermal store for other purposes than above described is forbidden and the manufacturer accepts no responsibility for damage caused by improper or wrong use. The thermal store must not be used as a hot water storage tank!

3 - Dimensions and Other Technical Data

Dimensions scheme



CONNECTIONS	
pos.	conn.
Heat sources	
B1	G 6/4" F
B2	G 6/4" F
Heating system	
H1	G 6/4" F
H2	G 6/4" F
Control and safety	
C1	G 1/2" F
C2	G 1/2" F
C3	G 1/2" F
T	G 1/2" F
P	G 1/2" F
Universal inlet/outlet	
U1	G 6/4" F
U2	G 6/4" F
U3	G 6/4" F
U4	G 6/4" F
U5	G 6/4" F



Tank code: a
 Insulation code: b
 Storage volume: c
 Max. working pressure in tanks PS200 N+ + PS1100 N+: ... 4 bar
 Max. working pressure in tanks PS1500 N+ + PS2000 N+: 3 bar
 Max. working temperature in tank: 95 °C
 Empty weight: d
 Tipping height without insulation: V1

Type - model		PS200 N+	PS300 N+	PS400 N+	PS500 N+	PS600 N+	PS700 N+	PS800 N+	PS900 N+	PS1000 N+	PS1100N+	PS1500 N+	PS2000 N+
Tank code	a	14717	14720	13783	14723	15135	15138	15141	15144	15147	15150	15153	15156
Insulation code	b	19295	19048	19304	19296	19332	19316	19297	19298	19049	19305	19303	19312
Storage volume [l]	c	181	280	397	474	560	656	804	860	927	1040	1504	2005
Empty weight [kg]	d	42	52	71	72	80	85	99	103	109	128	176	209
Tipping height [mm]	V1	1370	1435	1930	1940	1965	2080	1890	2020	2120	2125	1965	2055
Dimensions [mm]	ø D1	650	750	750	800	850	900	1000	990	1000	1050	1300	1450
	ø D	450	550	550	600	650	700	800	790	800	850	1100	1250
	B1	1093	1120	1610	1615	1625	1635	1455	1645	1690	1740	1475	1510
	B2	193	220	220	225	235	245	315	255	300	260	335	370
	H1	1351	1405	1905	1915	1935	1955	1845	1975	2080	2080	1885	1955
	H2	193	220	220	225	235	245	315	255	300	260	335	370
	C1	1093	1120	1610	1615	1625	1635	1455	1645	1690	1740	1475	1510
	C2	413	440	565	560	570	580	605	590	635	615	625	660
	C3	843	870	1265	1270	1280	1290	1155	1300	1345	1385	1175	1210
	T	993	1020	1480	1485	1495	1505	1335	1515	1560	1620	1355	1390
	P	333	360	450	450	440	450	450	390	435	395	450	450
	U1	1093	1120	1610	1615	1625	1635	1455	1645	1690	1740	1475	1510
	U2	333	360	450	435	440	455	515	465	510	490	535	570
	U3	793	795	1150	1155	1165	1175	1075	1185	1230	1270	1095	1130
	U4	493	520	680	685	695	705	695	715	760	740	715	750
	U5	893	920	1380	1385	1395	1405	1235	1415	1460	1500	1255	1290

4 - Operation

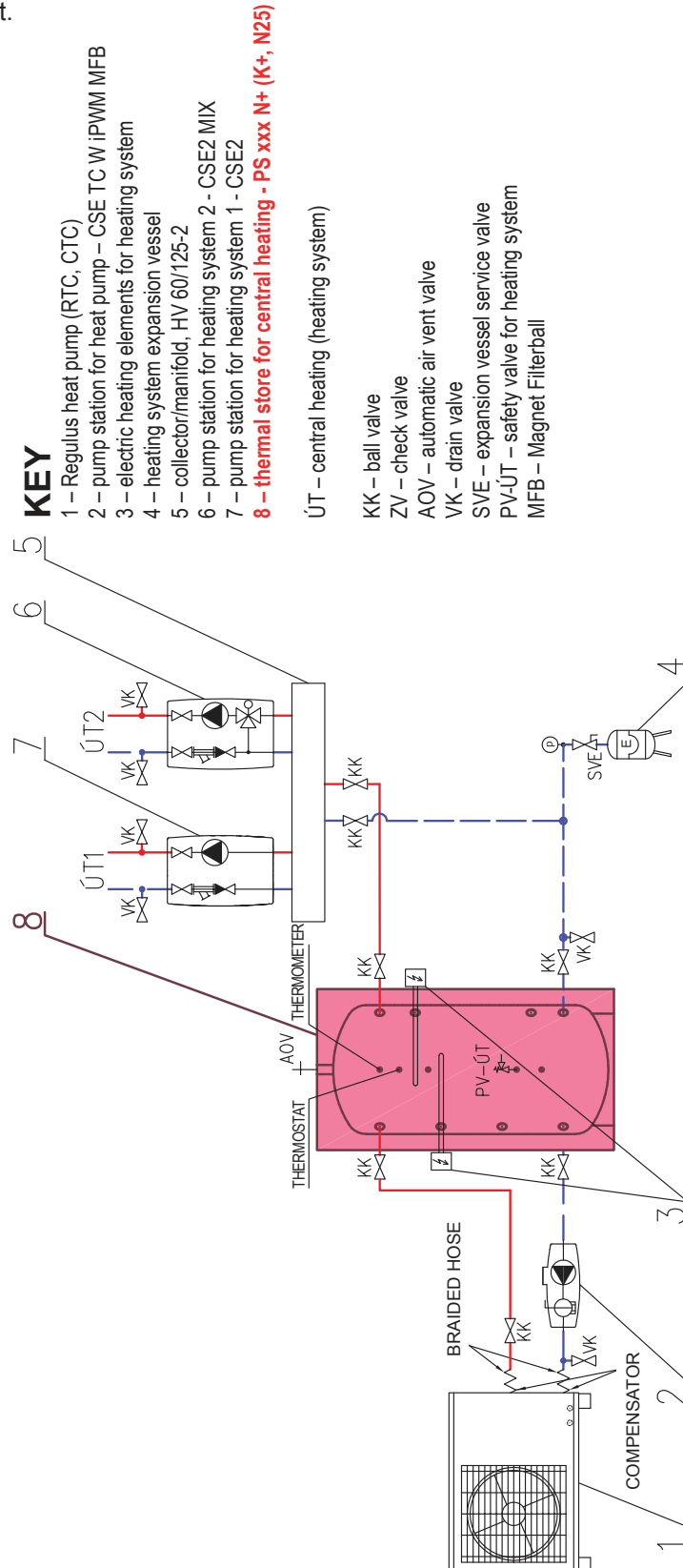
In a thermal store, heating water can be heated up by various types of hot-water boilers, renewable energy sources (heat pumps, solar collectors), or possibly also by electric heating elements.

The thermal store is connected to the energy source using a G 6/4" connection fitting. Should the tank be connected to a solar thermal system, a heat exchanger shall be used for the connection because heating water is not used as the heat transfer fluid in a solar thermal system. The individual tank outlets are fitted according to the circuits to be connected.

5 - Typical Layout Examples with Thermal Store

Example I.

Heat pump and electric heating element.



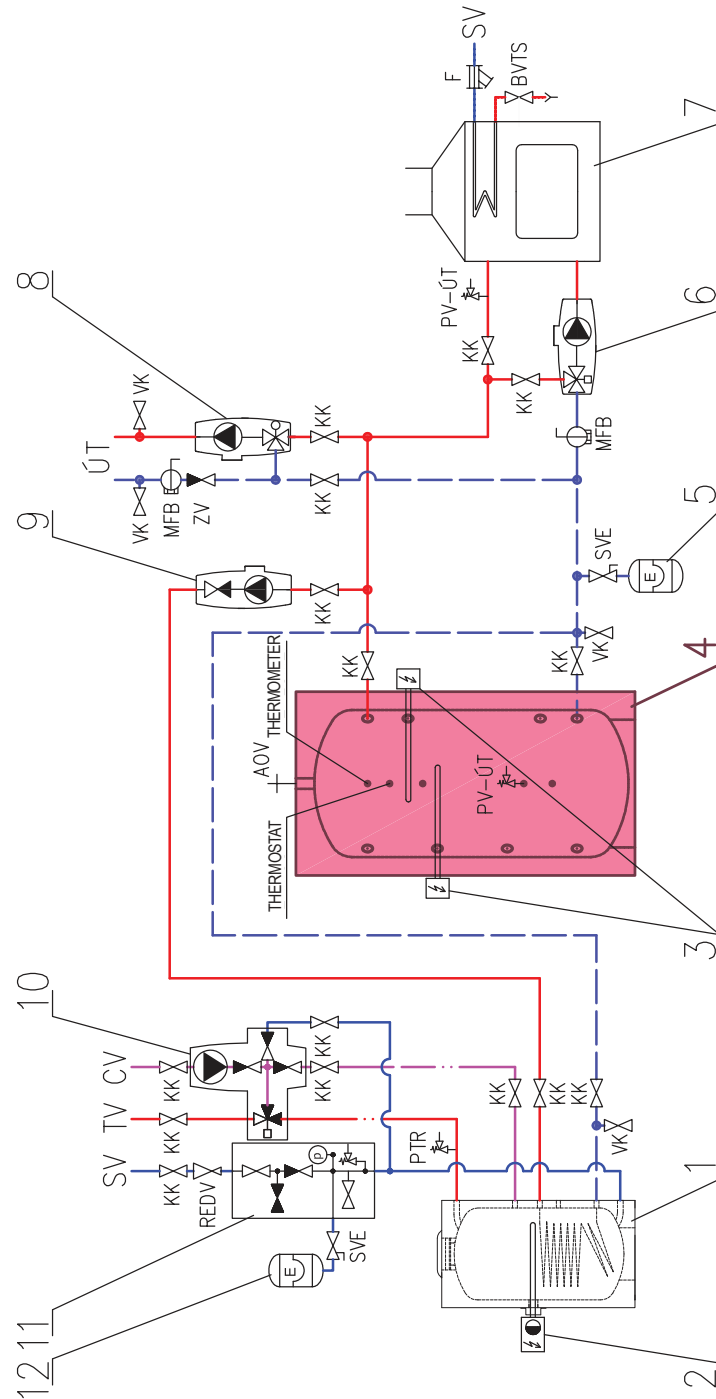
Example II.

Biomass boiler (fireplace insert/stove) and electric heating element.

KEY

- 1 – hot water storage tank
- 2 – el. heating element for DHW w. thermostat
- 3 – electric heating elements for heating system
- 4 – **thermal store for central heating - PS xxx N+ (K+, N25)**
- 5 – heating system expansion vessel
- 6 – boiler load unit – thermostatic
- 7 – biomass boiler (fireplace insert/stove)
- 8 – pump station for heating system - CSE MIX
- 9 – pump station for DHW heating – CSE OTS ZV
- 10 – pump station for DHW recirculation – CSE TVMIX ZV
- 11 – safety kit for HW storage tank
- 12 – DHW expansion vessel

- SV – cold water
- TV – hot water
- CV – hot water recirculation
- ÚT – central heating (heating system)
- KK – ball valve
- ZV – check valve
- AOV – automatic air vent valve
- PTR – pressure temperature relief valve
- REDV – pressure reducing valve (optional)
- VK – drain valve
- SVE – expansion vessel service valve
- PV-ÚT – safety valve for heating system
- MFB – Magnet Filterball
- F – filter
- BVTS – safety relief valve of boiler cooling loop



6 - Installation and Commissioning

Installation shall meet valid rules and may be done by qualified staff only.

Defects caused by improper installation, use or handling are not covered by warranty.

After the tank is installed and connected to an existing heating system, it is recommended to clean the entire heating system using a suitable cleaning agent, e.g. BP 400.

Anti-corrosion protective liquid should be also used, e.g. BP 100 Plus.

6.1 - Connection to heat sources

Place the tank on the floor, as close to your heat source as possible. Fit the insulation, cf. Installing Insulation on the Tank. Connect the heating system according to the recommended connection layout - see Chap. 5. Install a drain valve at the lowest point of the tank. Install an air vent valve at the highest point of the system. Insulate all the connecting piping.

6.2 - Connection to a solar thermal system

This thermal store is primarily not designed to be connected to a solar thermal system. However, when needed, such a connection can be done by means of a heat exchanger between the solar thermal system and the thermal store. In such an event, all the connecting piping between the tank and this heat exchanger shall be thoroughly insulated.

6.3 - El. heating element installation

These thermal stores can be equipped with electric heating elements of output up to 12 kW depending on the volume of the thermal store - see the table of max. output of heating elements in hot water tanks and thermal stores. They can be connected either directly (elements with integrated thermostat) or via the controller of the entire heating system.

All electric heating elements shall be protected by a safety thermostat.

The electric heating element shall be wired by a professionally qualified person only.

6.4 - Commissioning

Ground the tank before commissioning.

This tank is not designed for DHW heating.

The tank shall be filled up together with the heating system, respecting valid standards and rules. In order to minimize corrosion, special additives for heating systems should be used. The quality of heating water depends on the quality of filling water at commissioning, on the top-up water quality and on the frequency of topping up. This has a strong influence on the lifetime of heating systems. Poor quality of heating water may cause problems like corrosion or incrustation, esp. on heat transfer surfaces.

Fill the heating circuits with the appropriate fluids and air-bleed the entire system. Check all connections for leaks and verify the system pressure. Set the heating controller in compliance with the documentation and manufacturer's recommendations.

Check regularly proper function of all control and adjustment elements.

7 - Installing Insulation on the Tank

Product description

Fleece insulation with a hard polystyrene surface, closed by a quick lock.

Warning

Insulation installation shall be done in two or three persons, depending on its size. The PU leather surface coated fleece insulation **must not be installed at temperatures below 20 °C**. If this cannot be avoided, the insulation shall be pre-warmed in another room to at least 20 °C. It is impossible to install insulation of lower temperature, there is a risk of damage.

Do not use any tools for installation.

Keep away from open fire.

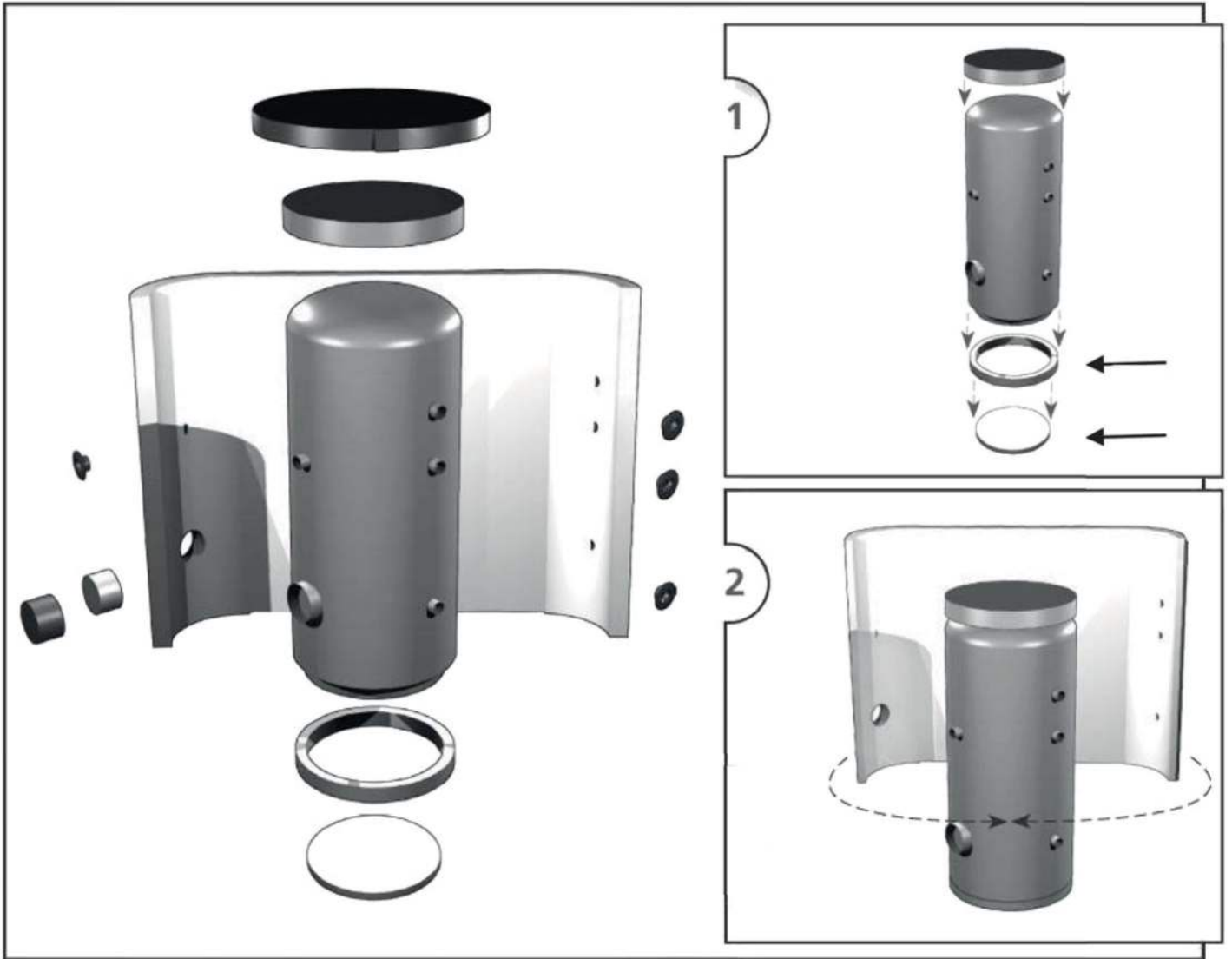
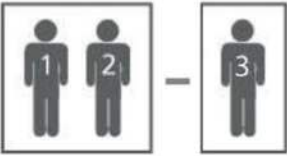
Installing insulation

1. Put the bottom insulation under the tank and place the tank following installation instructions.
2. Wrap the insulation around the tank carefully. Check that the insulation adheres to its body perfectly. This can be reached by rubbing and patting the insulation by hand from its centre evenly in both directions until the insulation adheres to the tank's surface completely and no bubbles are left.
3. Use the holes for connections as a rest during the insulation installation.
4. At least one person presses the insulation to the tank, pulling both ends together. The other person closes the quick lock from the side.
5. Put on the upper insulation and cover.
6. Push on the covering plastic rosettes depending on the size of connections, or put on the flange plug(s) with insulation.
7. Finish the tank installation in compliance with the respective instructions and valid standards and rules.

Warranty on insulation

The insulation is covered by a 24-month warranty. This period starts the next day after the insulation is sold.

- Warranty shall become null and void if:
 - the procedure described in the Installation Manual was not respected,
 - the product was used for other purposes than intended.
- Warranty does not cover:
 - usual wear and tear,
 - damage caused by fire, water, electricity or another natural disaster,
 - defects caused by failure to use the product in compliance with its intended purpose, by improper use and insufficient maintenance,
 - defects caused by mechanical damage to the product,
 - defects caused by tampering or incompetent repair.



8 - Maintenance

If the tank is fitted with a heating element, disconnect it from the mains first. Clean the exterior of the tank with a soft cloth and a mild detergent. Never use abrasive cleaners or solvents. Check all tank connections for leaks.

9 - Disposal

Packaging shall be disposed of in compliance with the valid rules. When the product reaches the end of its life, it shall not be disposed of as household waste. It shall be dropped off at a Local Waste Recycling Centre. Insulation shall be recycled as plastic and the steel vessel as scrap iron.

10 - Warranty

This product is covered by warranty according to the conditions described in this Manual and according to the Warranty Certificate. A Warranty Certificate is an integral part of the supply

